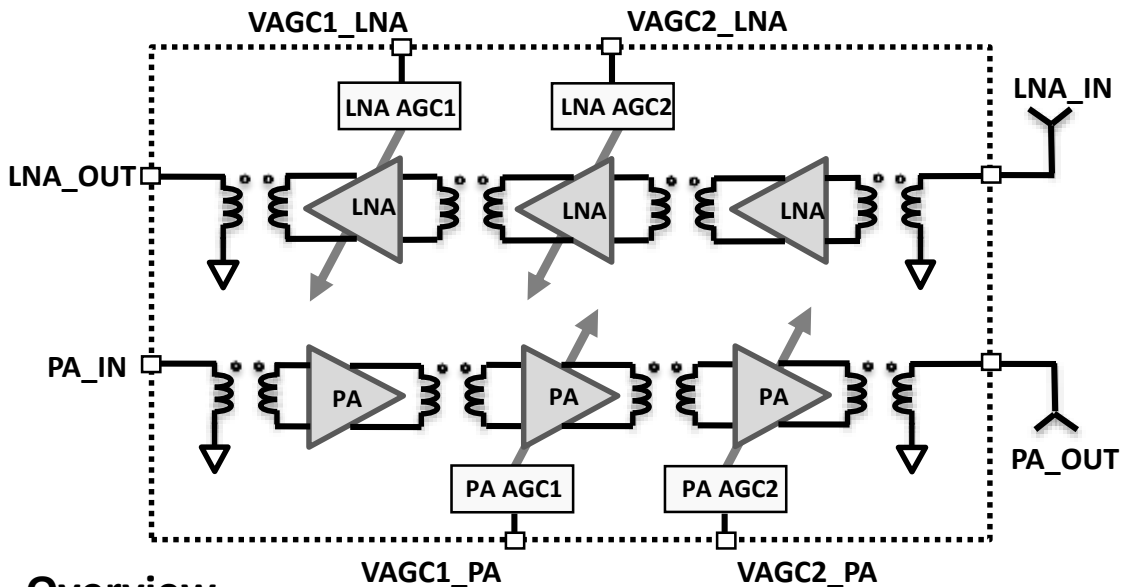


E-BAND FRONT END



- **Overview**

The WEA7186FE is a front end for wireless microwave transceivers operating in the E-Band. Implemented in a ST Micro Silicon Germanium B55 process it integrates a LNA path, a Power Amplifier together with Bias and Gain Control blocks.

- **Features**

- Linear-in-dB Analog Gain Control
- Broadband Gain Flatness
- Transmit Power Control
- Programmable Bias

- **Basic Figures**

- 20dBm output power
- >30dB TPC
- < 6dB NF
- 30GHz +/-2dB BW

- **Availability**

- Silicon ready in ST Micro B55, characterization pending
- Easily ported to other processes

- **Deliverables**

- GDSII, Database, Measurement results, VerilogA/Matlab Functional models