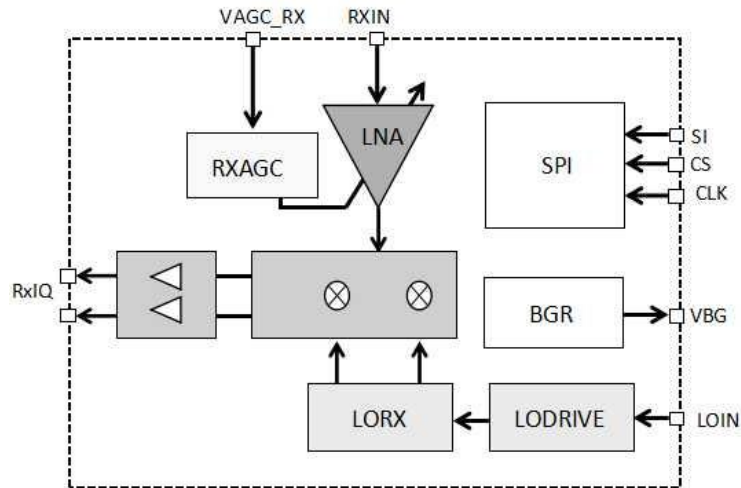


MICROWAVE RECEIVER FRONT END

• Overview

The WEA1015RX is a complete broadband wireless microwave receiver front-end operating in the frequency band spanning from 10 GHz to 15 GHz. Implemented in a GF Silicon Germanium 8XP process it integrates a Low Noise Amplifier with Gain Control, an IQ mixer, an IQ LO driver and BroadBand Baseband Amplifiers.



• Features

- Linear-in-dB Continuous Gain Control
- 300MHz Baseband Bandwidth
- Programmable Bias

• Availability

- Silicon proven in GF 8XP
- Easily ported to higher frequencies

• Deliverables

- GDSII, Database, Measurement results, VerilogA/Matlab Functional models